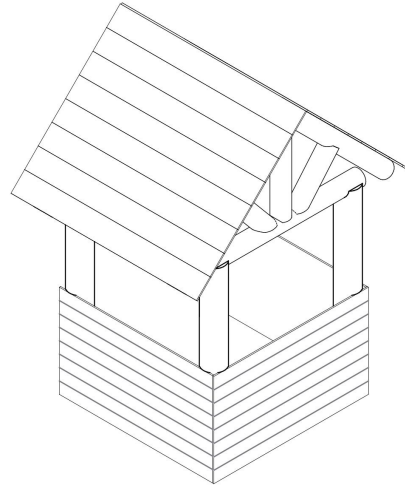
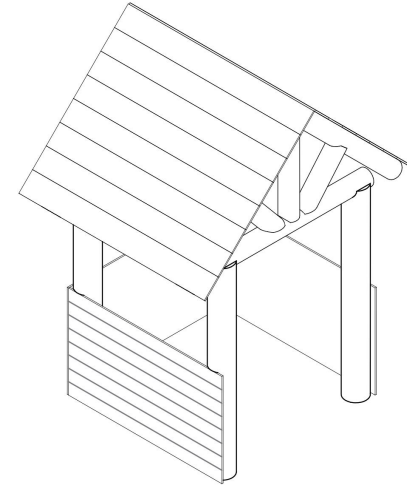


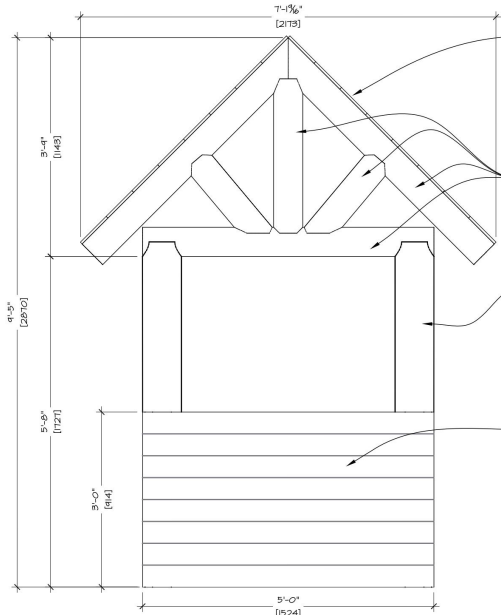
1 PLAN VIEW
SCALE: 1" = 1'-0"



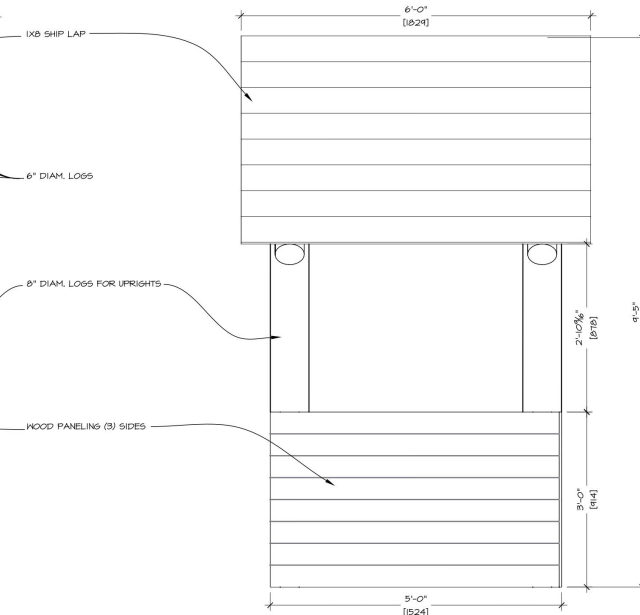
4 FRONT ISOMETRIC VIEW
SCALE: NO SCALE



5 REAR ISOMETRIC VIEW
SCALE: NO SCALE



2 FRONT ELEVATION VIEW
SCALE: 1" = 1'-0"



3 SIDE ELEVATION VIEW
SCALE: 1" = 1'-0"

REVISIONS	

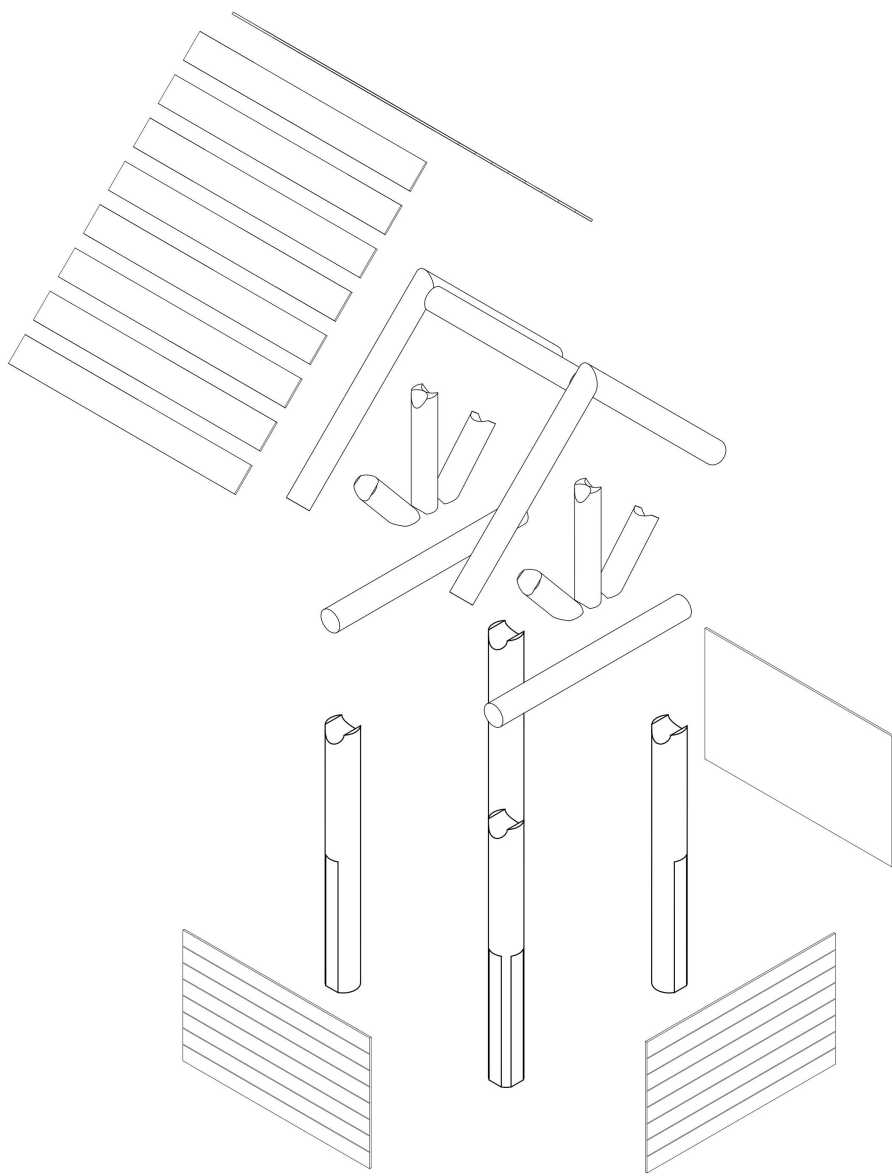
PROJECT: **SUBARU OF AMERICA, INC.**
RANGER STATIONS

ewi
ewiworldwide.com | 800.875.5250

DATE: 2.20.18
DRAWN BY: **TINA MILLER**
SCALE: 6:1

NO.	DATE	BY	CHKD.	APP'D.
1				

PRELIMINARY - 2.20.19



1 EXPLODED ASSEMBLY VIEW
2 SCALE: NO SCALE

REVISIONS	

PROJECT: SUBARU OF AMERICA, INC.
PART NAME: RANGER STATIONS

ewi
ewiworldwide.com | 800.875.5250

REV	DATE	DESCRIPTION

DATE	2.20.19
DESIGNER	TINA MILLER
DWG FILE	6-01
DRWN	
CHKD	
DATE PLOTTED	
SHEET #	2
TOTAL SHEETS	

PRELIMINARY - 2.20.19